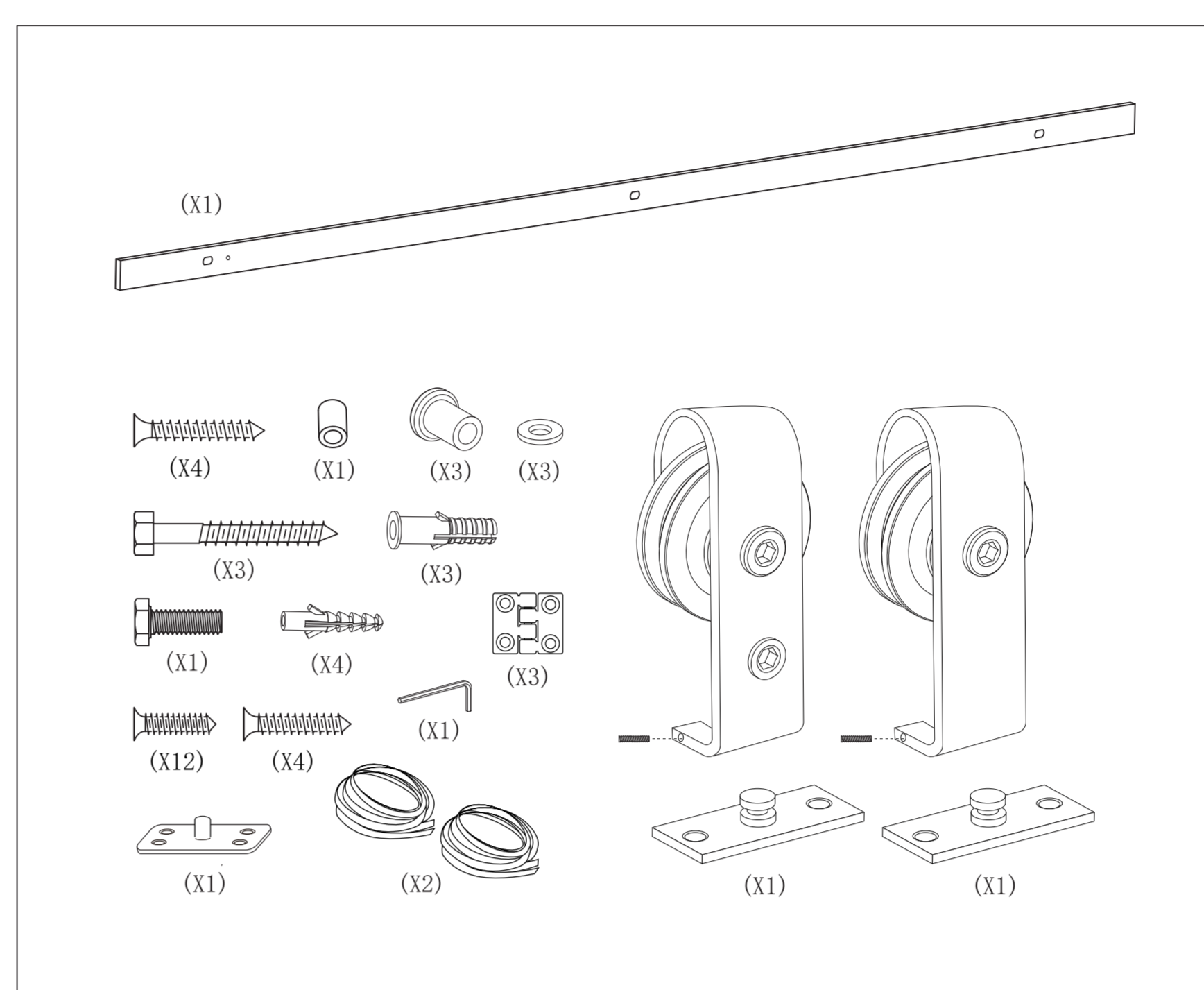
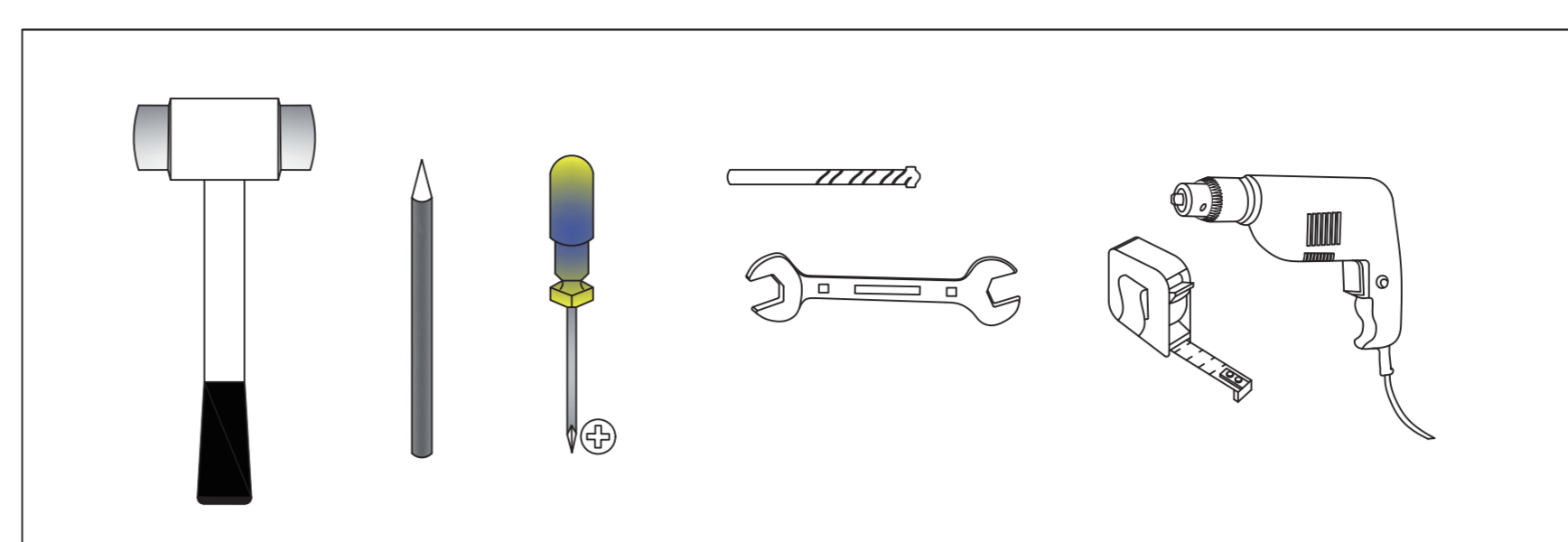
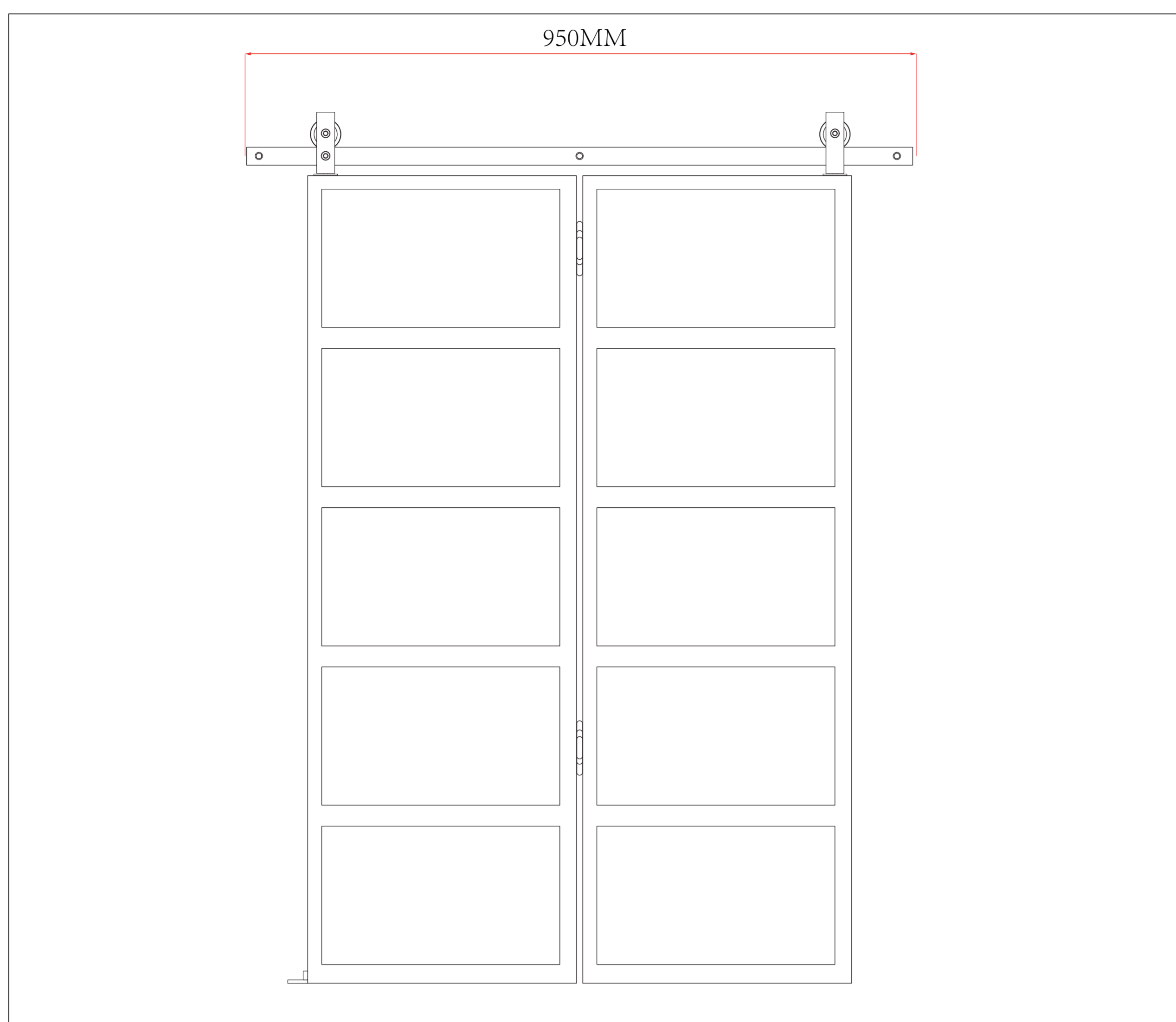
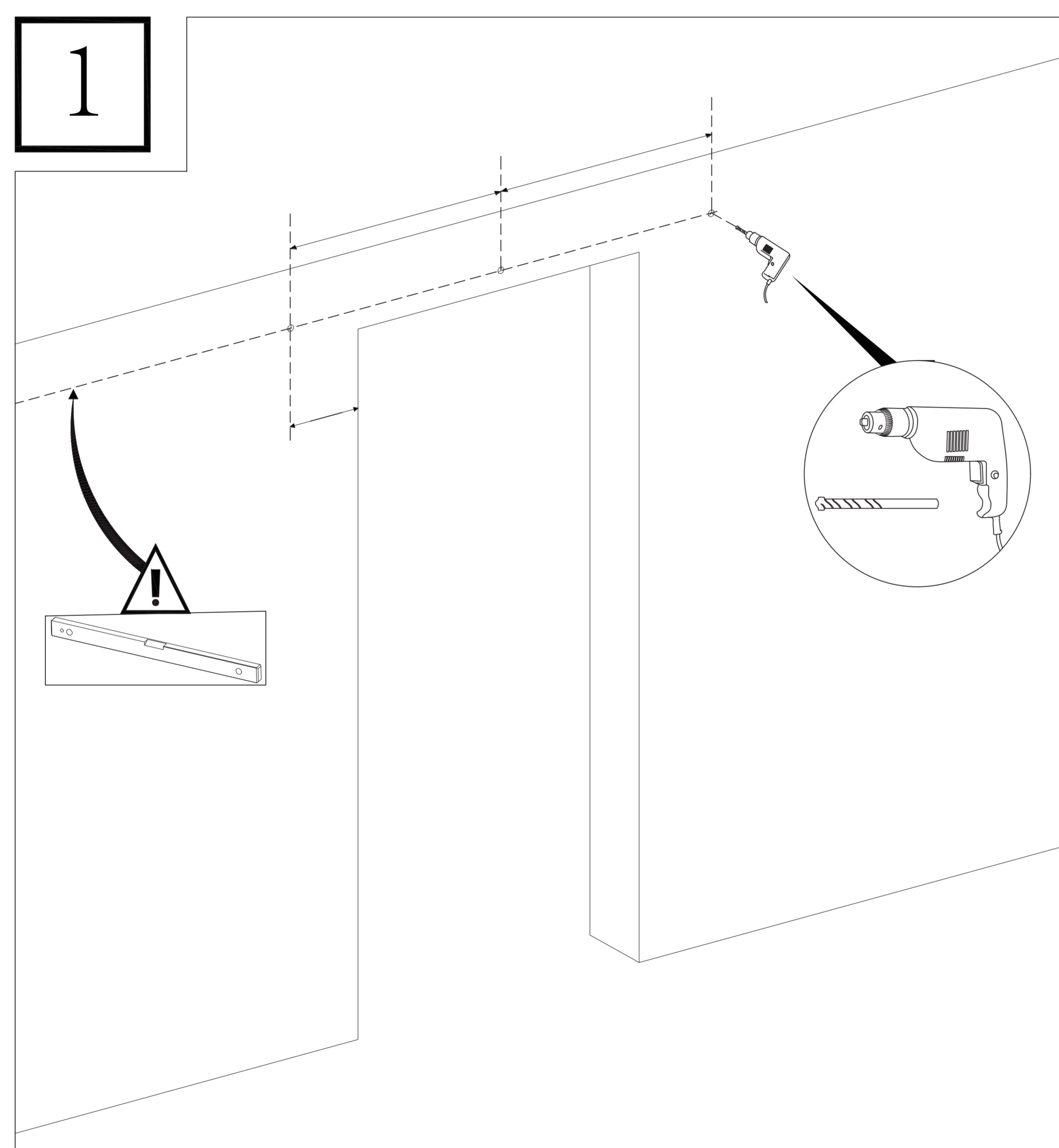


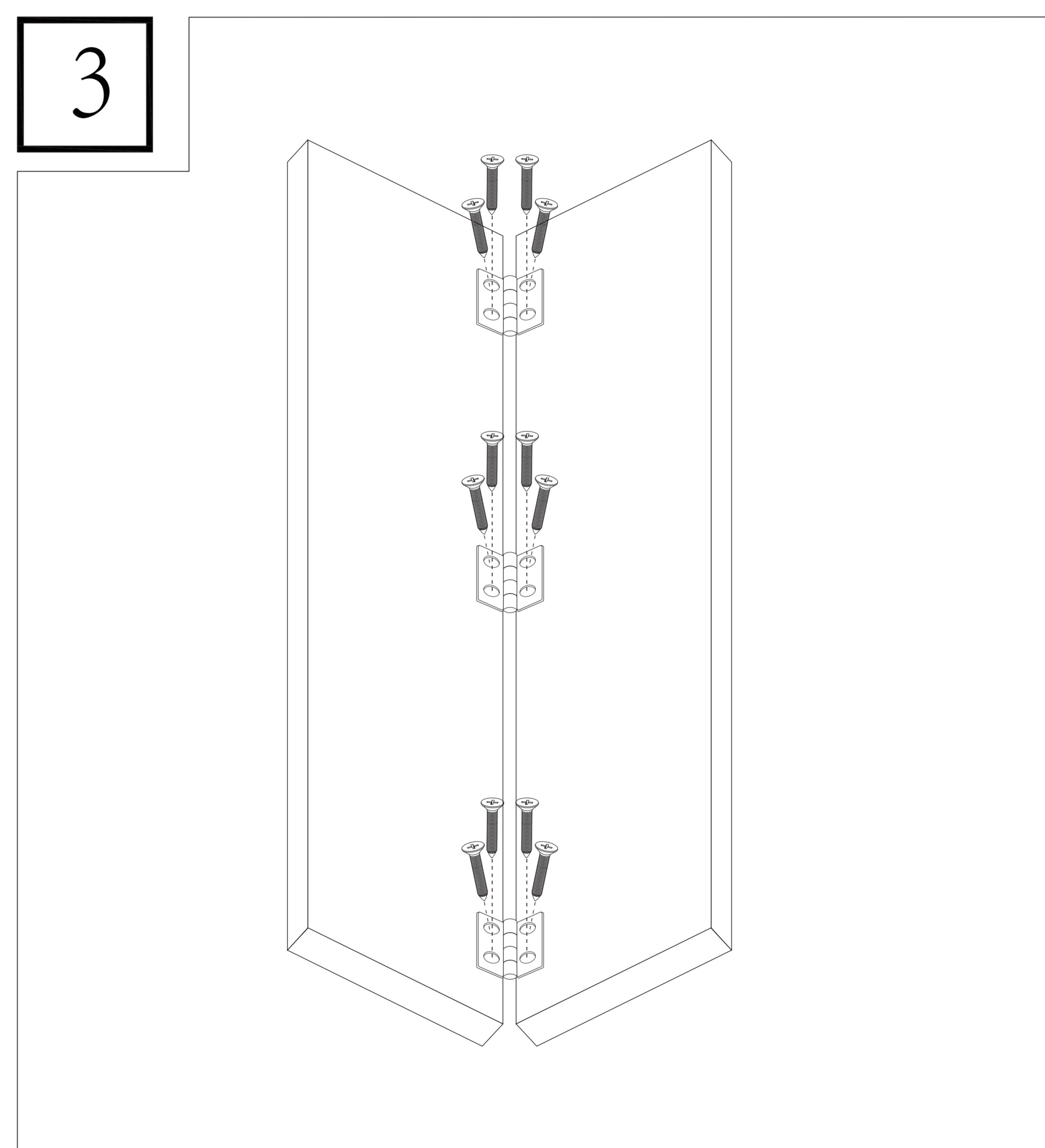
Installation Manual



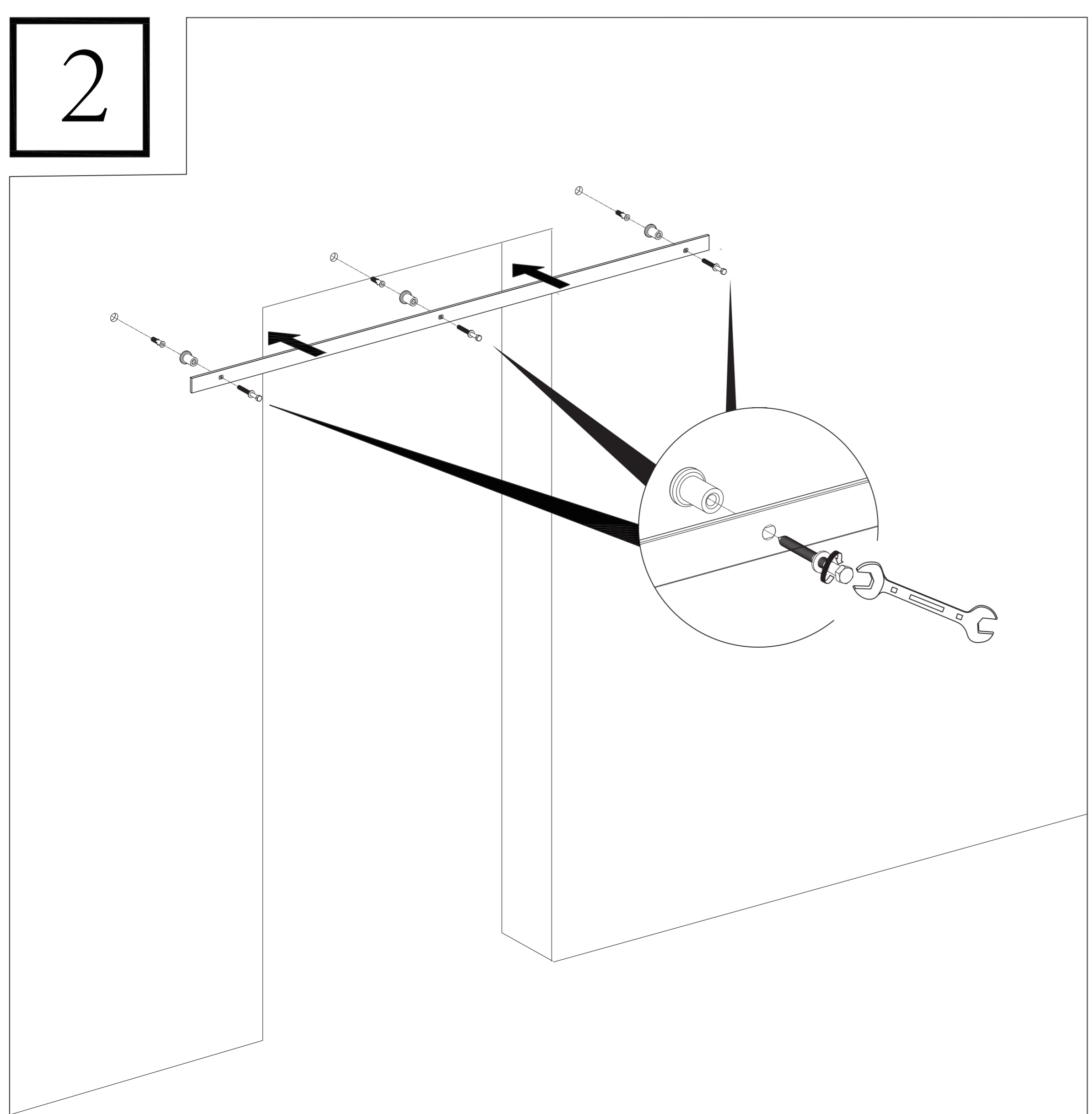
Step1. Drill holes on the wall



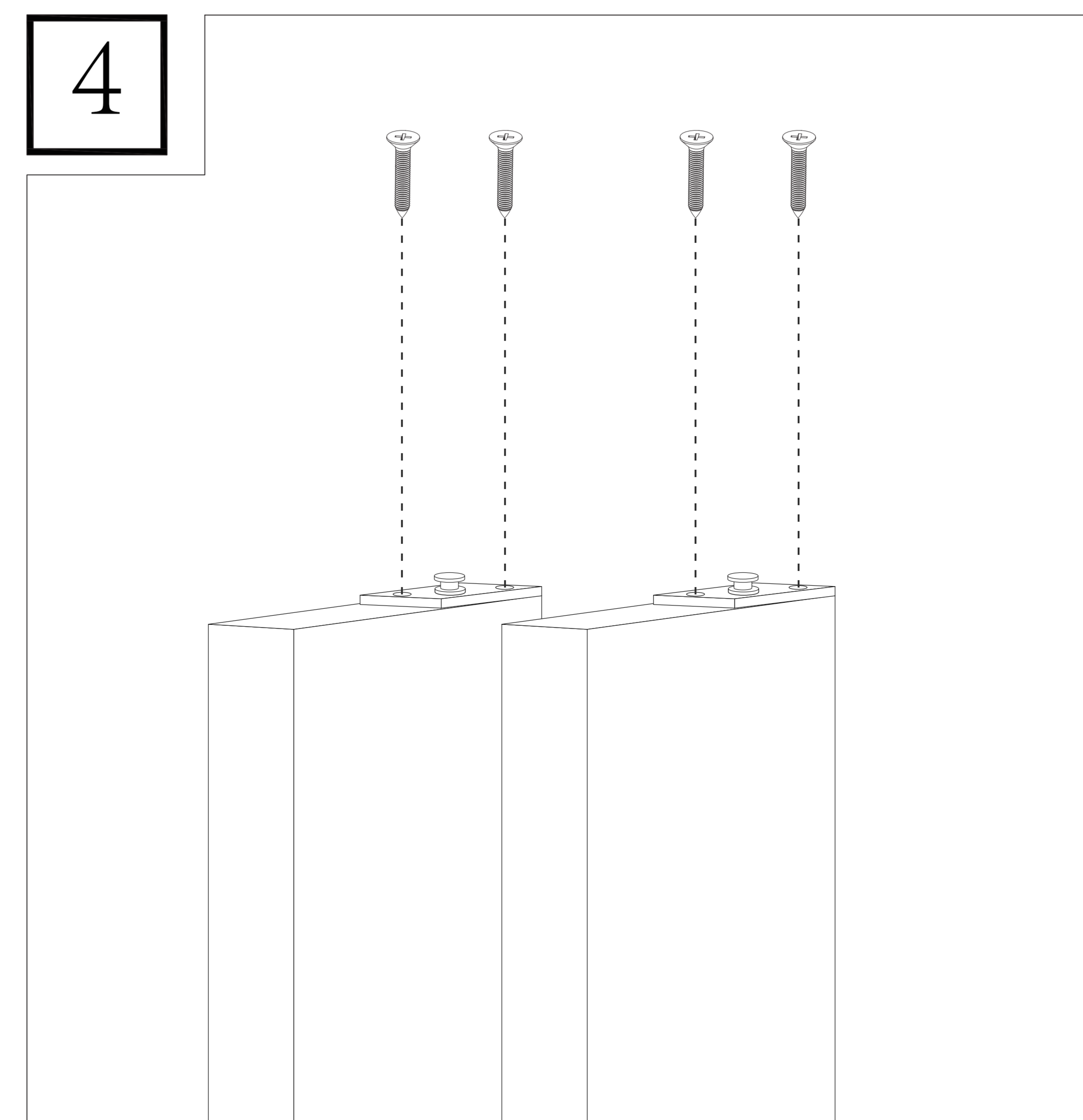
Step3. Install Hinges



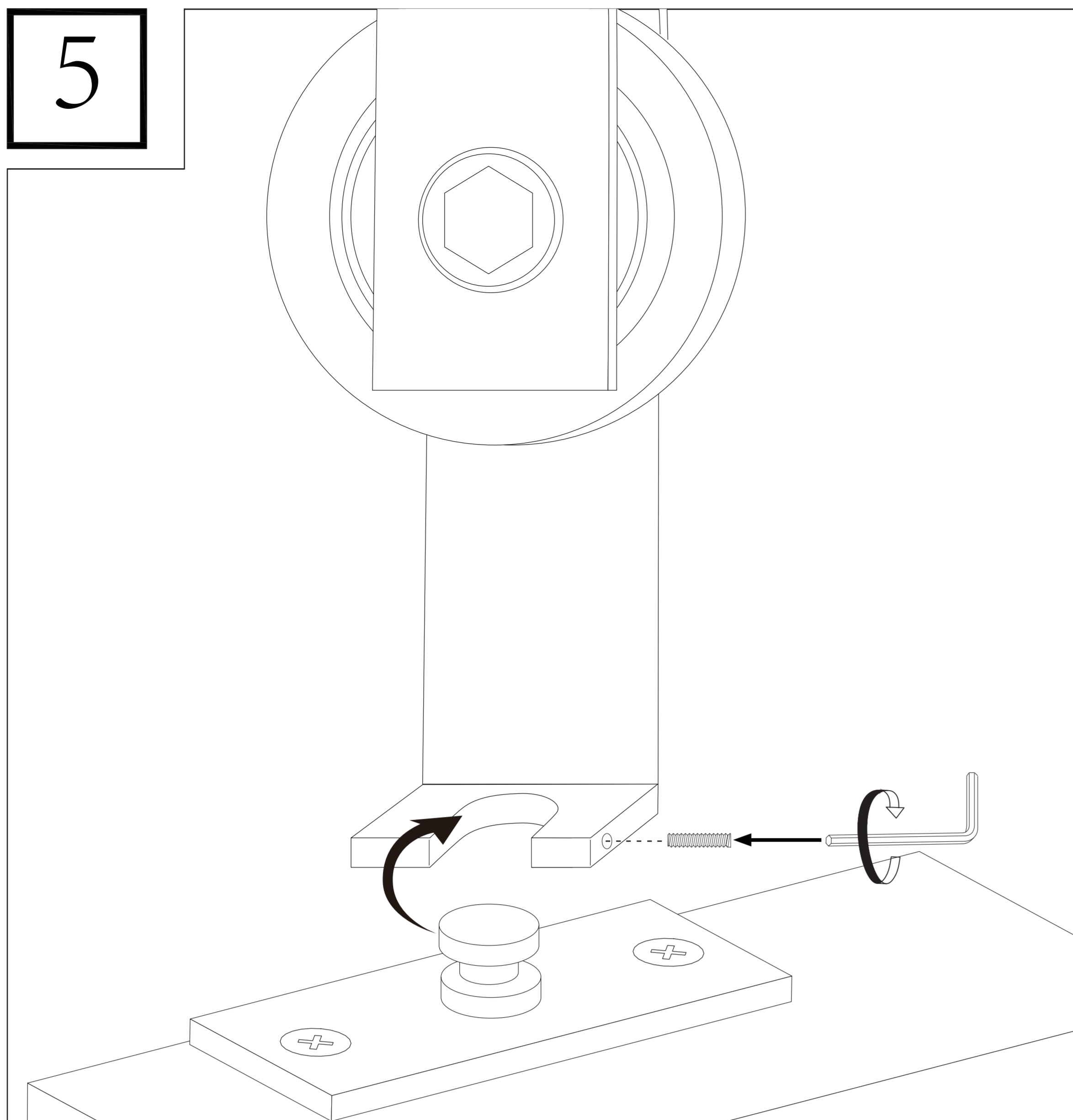
Step2. Install the track



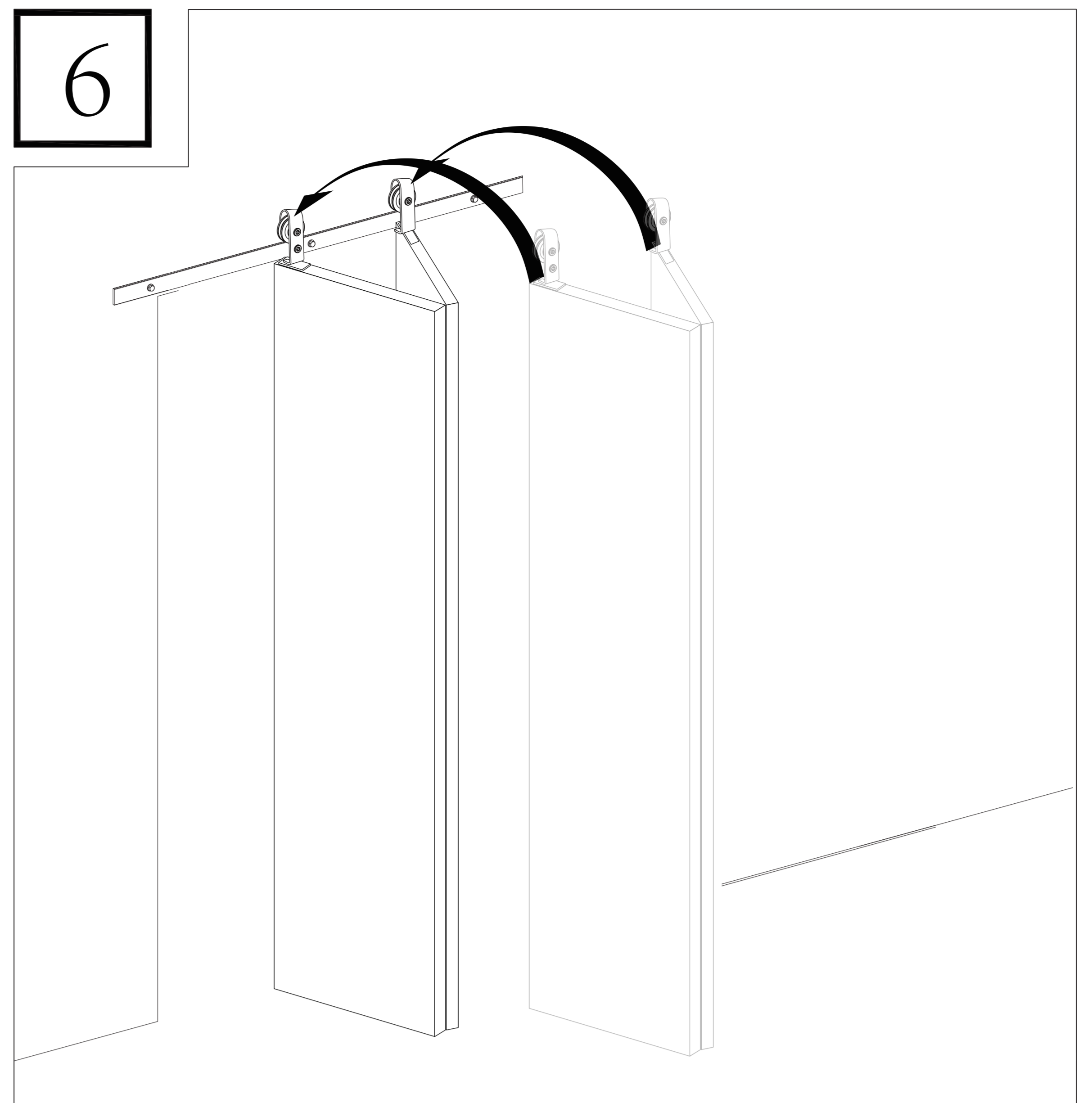
Step4. Fix screw for roller brackets



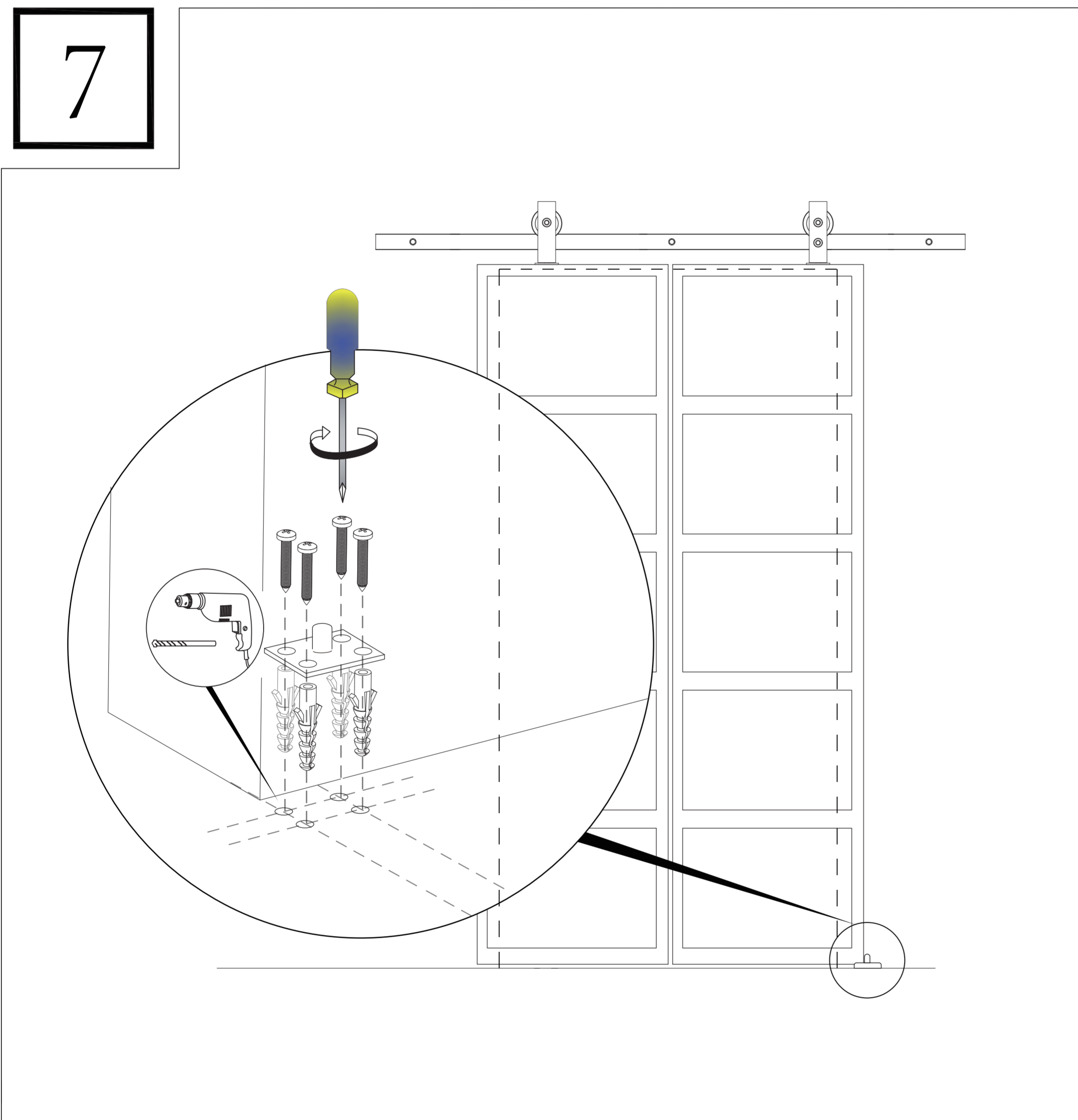
Step5. Fix roller for brackets



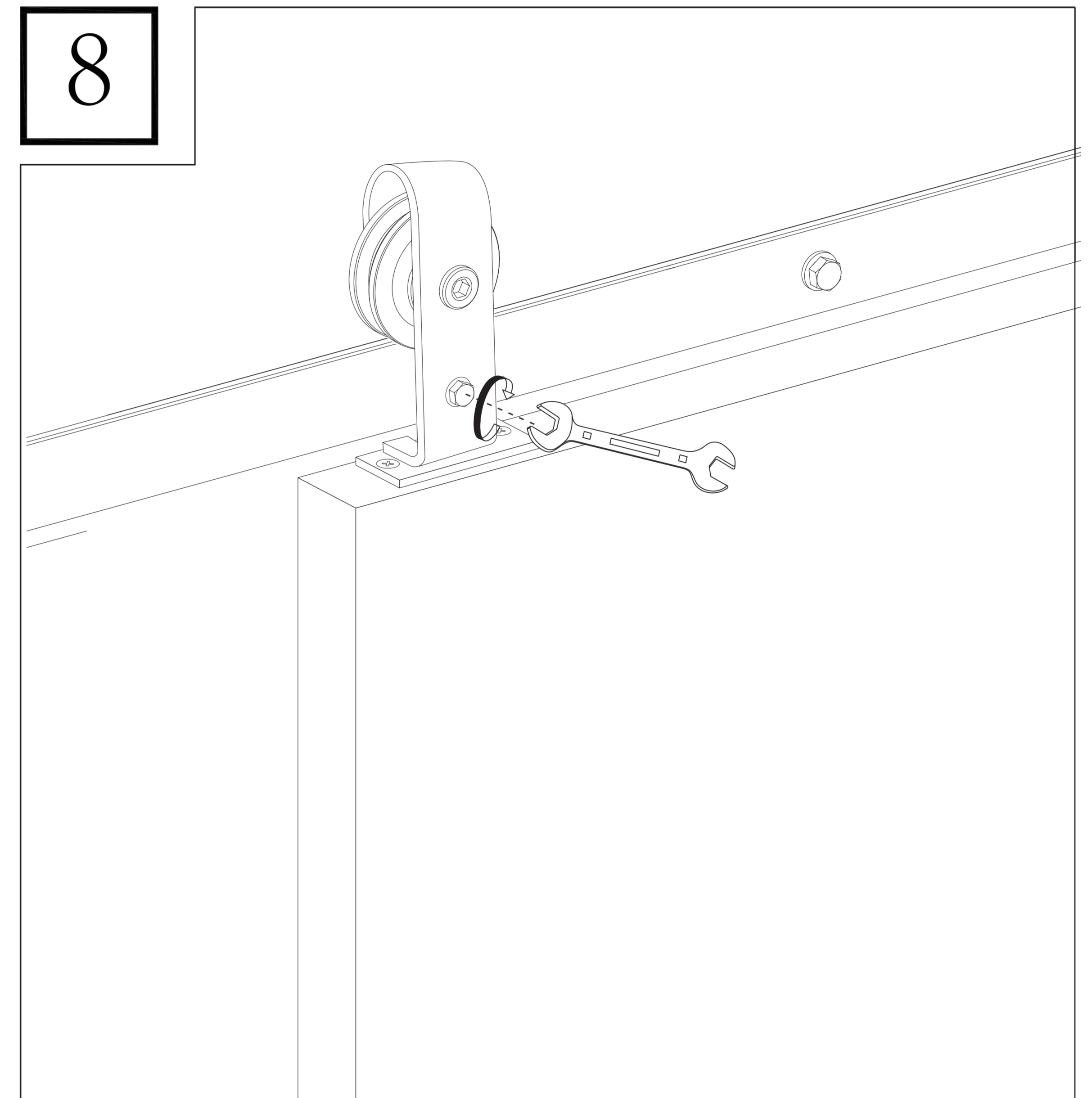
Step6. Install door



Step7. Install floor guide



Step8. Fix screw for side hanger



Step9. Completed

